

These items are C.E. and I.S.O. Certified

BARWORTH  
MEDICAL+

2018

# The Zero G Therapy Chair



[www.barworthmedical.co.uk](http://www.barworthmedical.co.uk)

Trackat House, 24 Turnpike Road, Blunsdon, Swindon, Wilts. SN26 7EA  
Tel: 01793 729229 Fax: 01793 728820 Email: [info@barworthmedical.co.uk](mailto:info@barworthmedical.co.uk)

# NOVAK TCZ-COM



- Hand switch for back, sitting and leg section adjustment
- Soft padding (10cm)
- Adjustable head section
- Wide, comfortable and adjustable armrests by pressing the lever
- Adjustable footrest by pushing and releasing a built-in button
- Individually lockable antistatic castors (ø100mm)
- Weight capacity 200kg
- Paper roll holder and push handles



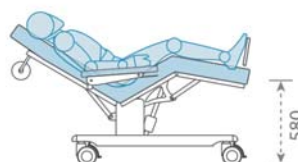
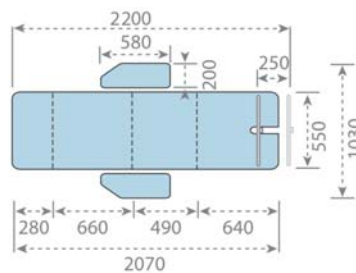
**TCZ-COM**  
**£2678**

exc. VAT & delivery\*

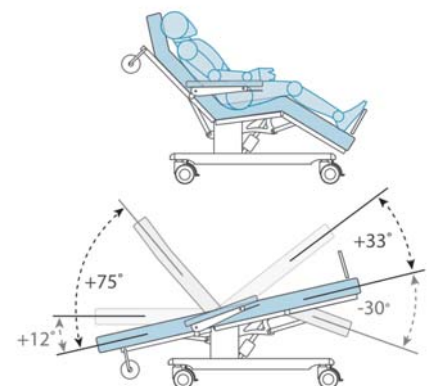
## Upholstery Colours

PLEASE SPECIFY CODE AND COLOUR WHEN ORDERING

-  231 light sky grey
-  131 light sky blue
-  132 sky blue
-  130 dark sky blue



\*This item is delivered cased and palletised.



# NOVAK TCZ-LUX

- Hand switch for adjustment of height and for back, sitting and leg section
- Extra soft padding (14cm)
- Adjustable head section
- Wide, comfortable and adjustable armrests by pressing the lever
- Adjustable footrest by pushing and releasing a built-in button
- Antistatic castors with central locking system (ø100mm)
- Weight capacity 200kg
- Paper roll holder and push handles
- Infusion pole



## TCZ-LUX

# £4420

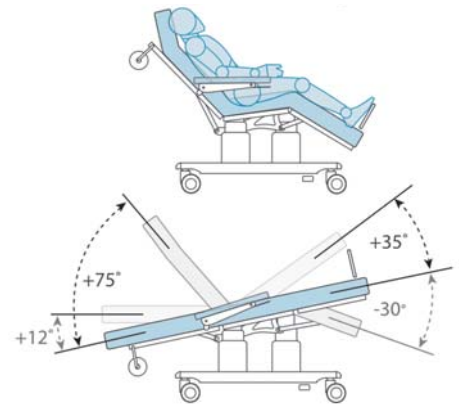
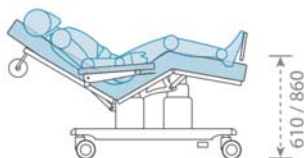
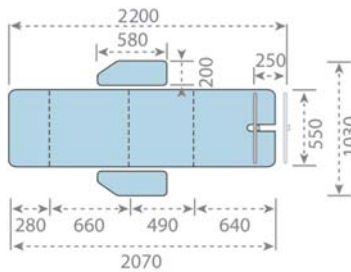
exc. VAT & delivery\*



### Upholstery Colours

PLEASE SPECIFY CODE AND COLOUR WHEN ORDERING

-  231 light sky grey
-  131 light sky blue
-  132 sky blue
-  130 dark sky blue



\*This item is delivered cased and palletised.

# ZERO G THERAPY CHAIR

## Comfort

The **soft padding** and setting the therapy chair into **Zero Gravity position** guarantee first class comfort for patients during long lasting therapies.

The upholstery is made of **high quality foam** that provides **full body support** along the lying surface and prevents **overheating** and **sweating**.

By pressing the **“cloud” button** on the hand switch, the patient can set the chair into **Zero G** position. This offers additional **pressure relief for the body and joints** during long lasting therapies.

## Easy Adjustment

A wide range of smart and simple features saves handling time for medical staff, as patients can **adjust the chair independently** into their favourable position. By pressing a single button on a hand switch, the patient can set the chair into **Zero G position, sitting position or completely flat position**.

In case of emergency you can quickly set the chair into **Trendelenburg** position. **Footrest** supports patients in case of cramp. By pressing and releasing the built-in button they can quickly adjust the footrest themselves.

For even greater comfort, the patient can easily adjust the armrests by pressing the lever. Besides offering support during therapies, strong and stable **armrests** also help patients with sitting and getting up from the chair.

## Simple cleaning and maintenance

Therapy chair Zero G has a **small footprint** so it takes very little space in a clinic. Simply designed lying surface is smooth and without folds for easier and faster cleaning. It is made of thin, **extra strong PU coating**, which is resistant to blood, urine, oil, fat and disinfectants to **ensure proper hygiene** for your patients.



Tel: **01793 729229** Fax: **01793 728820**  
email orders & enquiries: [info@barworthmedical.co.uk](mailto:info@barworthmedical.co.uk)

**[www.barworthmedical.co.uk](http://www.barworthmedical.co.uk)**

Barworth Medical (UK) Ltd, Trackat House, 24 Turnpike Road, Blunsdon, Swindon, Wilts. SN26 7EA



# Oncology & Renal Dialysis Chair

2017/2018



- ▶ Dual action Tilt In Space, Rise & Recline
- ▶ Designed to provide maximum user comfort
- ▶ Battery back-up in case of power failure
- ▶ **Included as standard both waterfall (A/C) & lateral support backrest cushions (B).**
- ▶ Simple handset operation, with reset to normal seat mode button
- ▶ Portable base unit for easy moving
- ▶ Easy to clean

**Wendover**  
**£1245**

ex VAT & delivery\*

\*Delivered cased and palletised.

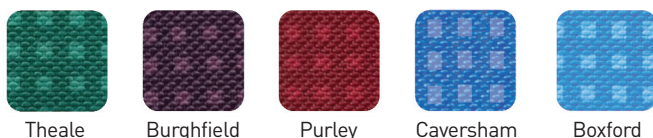


## Internal Colours



Black    Graphite    Navy

## External Colours



Theale    Burghfield    Purley    Caversham    Boxford

- Chair Complies to BS8474:2013.

- Fabrics Comply to BS5852 Part 2 and Ignition Source 5/BS7176 Medium Hazard.

Seat and back material made of **Dartex®** which is:

- ▶ Two Way Stretch
- ▶ Vapour Permeable (Breathable)
- ▶ Waterproof

**Dartex®**

**Ambla®  
Vinyls**

[www.barworthmedical.co.uk](http://www.barworthmedical.co.uk)

Tel: 01793 729229    Fax: 01793 728820    Email: [info@barworthmedical.co.uk](mailto:info@barworthmedical.co.uk)

# Renal Dialysis & Oncology Chair



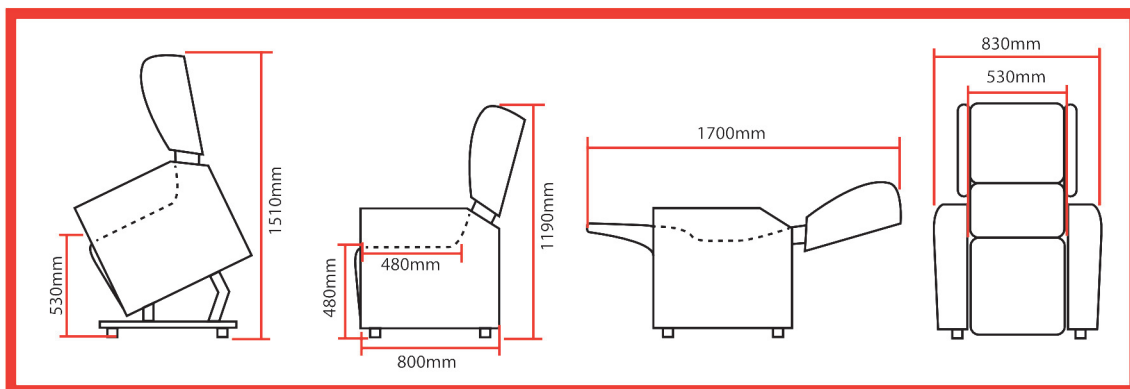
Colour of chair shown is **External** (Caversham) **Ambla®** **Internal** (Navy) **Dartex®**

**Maximum Capacity**  
**158kg / 25 stone**

**Wendover**  
**£1245**

ex VAT & delivery\*

\*Delivered cased and palletised.



**BARWORTH**  
**MEDICAL** 

Tel: **01793 729229** Fax: **01793 728820**

email orders & enquiries: [info@barworthmedical.co.uk](mailto:info@barworthmedical.co.uk)

**[www.barworthmedical.co.uk](http://www.barworthmedical.co.uk)**

Barworth Medical (UK) Ltd, Trackat House, 24 Turnpike Road, Blunsdon, Swindon, Wilts. SN26 7EA